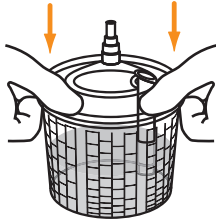


Quick Start

(A)



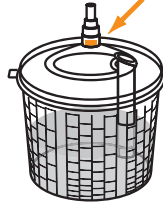
Use thumbs. Press firmly around the edge for a tight seal.

(B)

1. Squeeze trigger

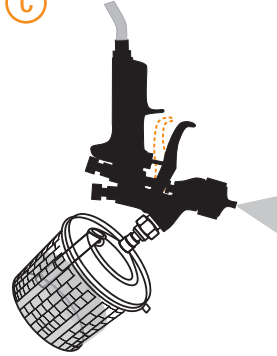


2. Use slight downward pressure. Use stem lugs for secure connection to lip on the adapter.



3. Position air valve toward rear of gun.

(C)



Connect hose, squeeze trigger, and purge air valve prior to painting.

(D)

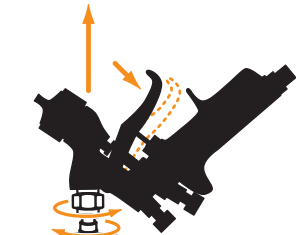


Paint.

LID REMOVAL

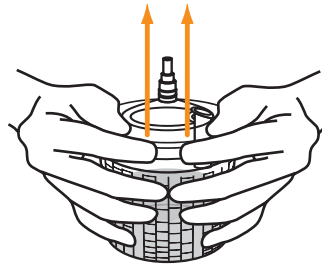
(E)

1. Squeeze trigger to drain fluid.



2. Twist and pull up on the gun.

(F)



With the lid tab facing away, use forefingers to open lid. Allow paint to drain from the lid into the cup prior to opening completely.

Scan this QR code to watch these instructions step-by-step!



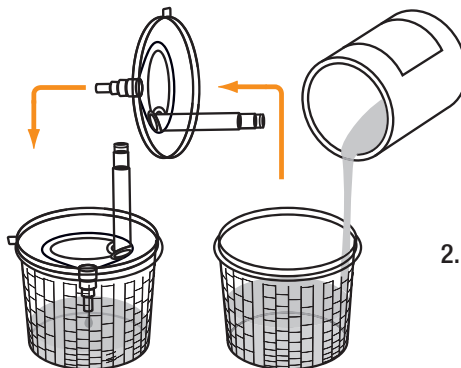
TINTING & REFILLS

(G)



(H)

1. Remove lid; quickly place upside down on old mix cup.



2. Refill and repeat steps A through D.